

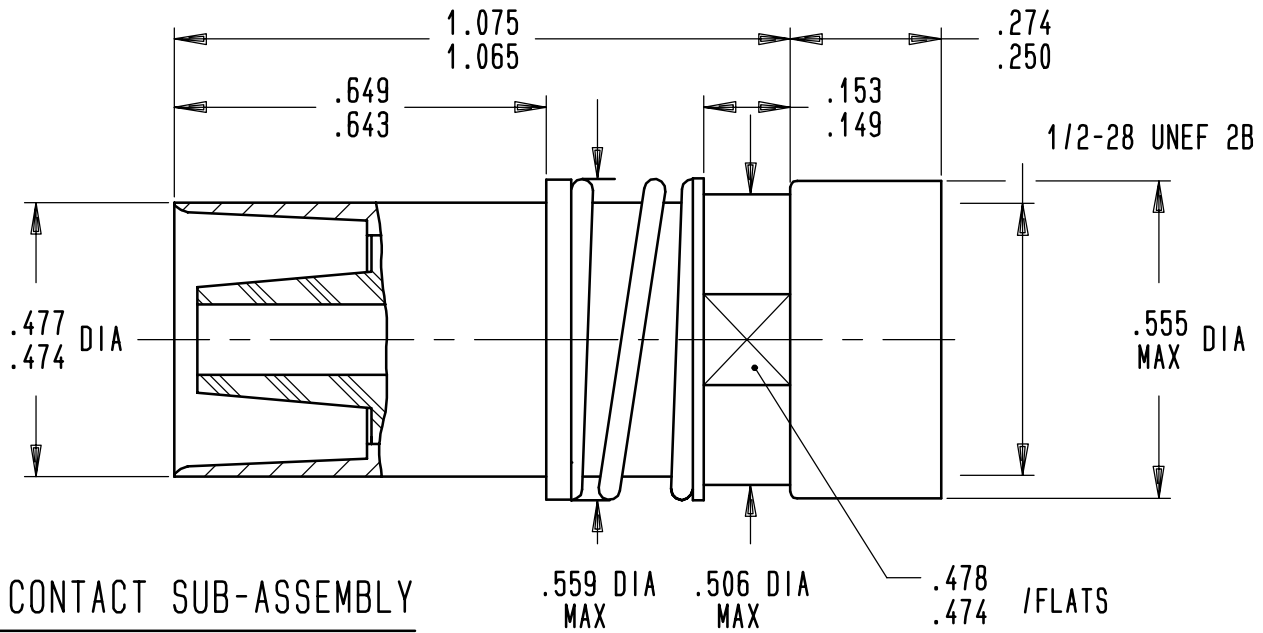


Series
NSX

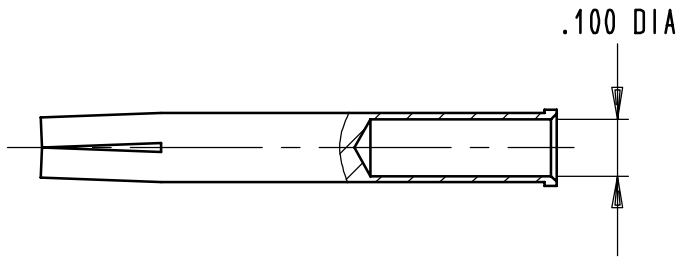
T-CAS - SIZE 1 RF CONTACT
RG 214 AND SURPRENANT BA 6903 A CABLE
CRIMP TERMINAISON

Issue:
09 DEC 96

Page
1 / 1



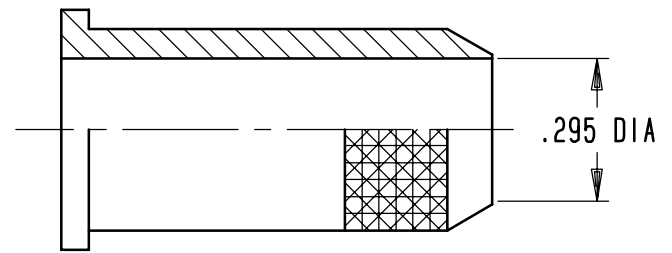
OUTER CONTACT SUB-ASSEMBLY



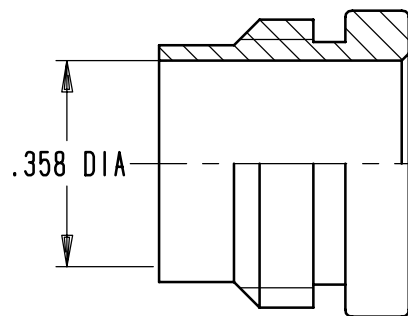
CENTER SOCKET CONTACT



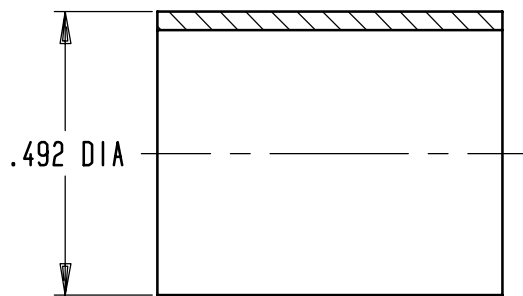
DIELECTRIC
WASHER



CRIMP SLEEVE



CLAMP NUT



FERRULE

MATERIAL AND FINISH

CONTACT PARTS : COPPER ALLOY- .00005 INCH OF GOLD OVER NICKEL
SPRING: STAINLESS STEEL
C. CLIP: STEEL - NICKEL PLATED
WASHER: STAINLESS STEEL - PASSIVATED
DIELECTRIC AND DIELECTRIC WASHER: TEFLON

WIRING INSTRUCTIONS : RP 6176

4112-9610

CREATION				
PEN: .				
NOM: FALETTI				
DATE: 01 MAY 90				
APPR.: CARTESSÉ	09 DEC 96	REDRAWN	VALGRESY	.
Issue	Revisions		Name	Approved